

**BROCA 3 PUNTAS IZAR**

Ref	ØCorte	Total L mm	Total l mm	Ref. Cofac
1640-3	3 mm.	61	33	5011159
1640-4	4 mm.	75	43	5011260
1640-5	5 mm.	86	52	5011361
1640-6	6 mm.	93	57	5011462
1640-7	7 mm.	109	69	5011563
1640-8	8 mm.	117	75	5011664
1640-9	9 mm.	120	81	5011765
1640-10	10 mm.	133	87	5011866
1640-11	11 mm.	142	89	7903880
1640-12	12 mm.	151	96	5011967
1640-13	13 mm.	151	96	7903981
1640-14	14 mm.	151	96	5012068
1640-15	15 mm.	160	100	7904082
1640-16	16 mm.	160	100	7904183

**BROCA 3 PUNTAS CELESA**

Ref	ØCorte	Total L mm	Total l mm	Ref. Cofac
3mm	3 mm.	59	35	6158789
4mm	4 mm.	74	41	6158890
5mm	5 mm.	82	55	6158991
6mm	6 mm.	88	58	6159092
7mm	7 mm.	110	70	6159193
8mm	8 mm.	110	70	6159294
9mm	9 mm.	110	70	6159395
10mm	10 mm.	115	75	6159496
12mm	12 mm.	135	85	6159500
14mm	14 mm.	145	95	6159601

**BROCA DE PALA IZAR**

Ref	ØCorte	Total L mm.	Ref. Cofac
1650-6	6 mm.	155	7904284
1650-8	8 mm.	155	7904385
1650-10	10 mm.	155	7904486
1650-12	12 mm.	155	7904587
1650-14	14 mm.	155	5012169
1650-16	16 mm.	155	5012270
1650-18	18 mm.	155	5012371
1650-20	20 mm.	155	5012472
1650-22	22 mm.	155	5012573
1650-24	24 mm.	155	5012674
1650-25	25 mm.	155	5012775
1650-26	26 mm.	155	5012876
1650-28	28 mm.	155	5012977
1650-30	30 mm.	155	5013078
1650-32	32 mm.	155	5013179
1650-36	36 mm.	155	7904688
1650-38	38 mm.	155	7904789



**BROCA DE PALA CELESA**

Ref	ØCorte	Total L mm	Ref. Cofac
BMP-14	14 mm.	150	6159702
BMP-16	16 mm.	150	6159803
BMP-18	18 mm.	150	6159904
BMP-20	20 mm.	150	6160005
BMP-22	22 mm.	150	6160106
BMP-24	24 mm.	150	6160207
BMP-26	26 mm.	150	6160409
BMP-28	28 mm.	150	6160510
BMP-30	30 mm.	150	6160611
BMP-32	32 mm.	150	6160712

**BROCA DE ENSAMBLAR HERCO**

Ref	Ø	Ø Cuello	Mango	ØCorte	Ref. Cofac
H26 D.5 A/C	10	5	8	3 mm.	4325085
H26 D.7 A/C	11,5	8	8	5 mm.	4325186
H26 D.5 M/D	8,5	5,5	10	3,2 mm.	4325287
H26 D.7 M/D	11,5	8	10	5 mm.	4325388

**BROCA DE RECAMBIO HERCO**

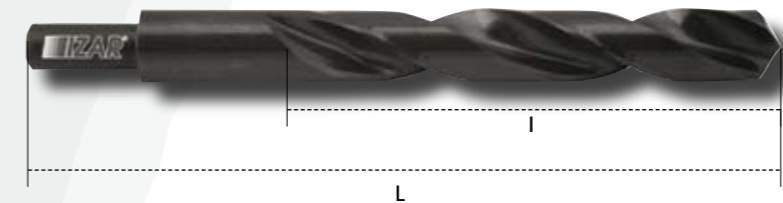
Ref	ØCorte	Largo	Ref. Cofac
H27 D.3 A/C	3 mm.	3	4325590
H27 D.5 A/C	5 mm.	5	4325489
H27 D.3 HSS	3,2 mm.	2,8	4325792
H27 D.5 HSS	5 mm.	3,9	4325691

**BROCA CILINDRICA CELESA BC-2**

Ref	ØCorte	Total L mm	l mm	Ref. Cofac
BC2-1.00	1.00 mm.	34	12	6140096
BC2-1.50	1.50 mm.	40	18	6140605
BC2-2.00	2.00 mm.	49	24	6141211
BC2-2.25	2.25 mm.	53	27	6141514
BC2-2.50	2.50 mm.	57	30	6141817
BC2-2.75	2.75 mm.	61	33	6142120
BC2-3.00	3.00 mm.	61	33	6142423
BC2-3.25	3.25 mm.	65	36	6142726
BC2-3.50	3.50 mm.	70	39	6143029
BC2-3.75	3.75 mm.	70	39	6143332
BC2-4.00	4.00 mm.	75	43	6143635
BC2-4.25	4.25 mm.	75	43	6143938
BC2-4.50	4.50 mm.	80	47	6144241
BC2-4.75	4.75 mm.	80	47	6144443
BC2-5.00	5.00 mm.	86	52	6144746
BC2-5.25	5.25 mm.	86	52	6144847
BC2-5.50	5.50 mm.	93	57	6144948
BC2-5.75	5.75 mm.	93	57	6145049
BC2-6.00	6.00 mm.	93	57	6145150
BC2-6.25	6.25 mm.	101	63	6145251
BC2-7.00	7.00 mm.	109	69	6145554
BC2-7.50	7.50 mm.	109	69	6145756
BC2-8.00	8.00 mm.	117	75	6145958
BC2-8.25	8.25 mm.	117	75	6146059
BC2-9.00	9.00 mm.	125	81	6146362
BC2-9.50	9.50 mm.	125	81	6146564
BC2-10.00	10.00 mm.	133	87	6146766
BC2-10.25	10.25 mm.	133	87	6146867
BC2-10.50	10.50 mm.	133	87	6146968
BC2-12.00	12.00 mm.	151	101	6147574
BC2-13.00	13.00 mm.	151	101	6147978

**BROCA CILINDRICA HSS MANGO REBAJADO 338RN IZAR**

Ref	Corte	Total L mm	l mm	Ref. Cofac
1017-12	12 mm.	151	101	2829366
1017-13	13 mm.	151	101	2829467
1017-14	14 mm.	160	108	2829568
1017-15	15 mm.	169	114	2829669
1017-16	16 mm.	178	120	2829770
1017-17	17 mm.	184	125	2829871
1017-18	18 mm.	191	130	2829972
1017-19	19 mm.	198	135	2830073
1017-20	20 mm.	205	140	2830174



**BROCA CILINDRICA BC-5 COBALTO CELESA**

Ref	ØCorte	Total L mm	l mm	Ref. Cofac
2.00 mm	2.00 mm.	49	24	8038771
2.25 mm	2.25 mm.	53	27	8038872
2.50 mm	2.50 mm.	57	30	8038973
3.00 mm	3.00 mm.	61	33	8039175
3.25 mm	3.25 mm.	65	36	8039276
3.50 mm	3.50 mm.	70	39	8039377
4.00 mm	4.00 mm.	75	43	8039579
4.25 mm	4.25 mm.	75	43	8039680
4.50 mm	4.50 mm.	80	47	8039781
5.00 mm	5.00 mm.	86	52	8039983
5.50 mm	5.50 mm.	93	57	8040185
6.00 mm	6.00 mm.	93	57	8040387
7.00 mm	7.00 mm.	109	69	8040791
8.00 mm	8.00 mm.	117	75	8041195
9.00 mm	9.00 mm.	125	81	8041502
10.00 mm	10.00mm.	133	87	8041906

**BROCA CILINDRICA HSS MANGO REBAJADO 338 IZAR**

Ref	ØCorte	Total L mm	l mm	Ref. Cofac
1006-1.00	1.00 mm.	34	12	7899739
1006-1.50	1.50 mm.	40	18	7899840
1006-2.00	2.00 mm.	49	24	5007119
1006-2.50	2.50 mm.	57	30	7899941
1006-3.00	3.00 mm.	61	33	5007220
1006-3.25	3.25 mm.	65	36	7900042
1006-3.50	3.50 mm.	70	39	7900143
1006-4.00	4.00 mm.	75	43	5007321
1006-4.25	4.25 mm.	75	43	7900244
1006-4.50	4.50 mm.	80	47	7900345
1006-5.00	5.00 mm.	86	52	5007422
1006-5.50	5.50 mm.	93	57	7900446
1006-6.00	6.00 mm.	93	57	5007523
1006-6.50	6.50 mm.	101	63	7900547
1006-7.00	7.00 mm.	109	69	5007624
1006-7.50	7.50 mm.	109	69	7900648
1006-8.00	8.00 mm.	117	75	5007725
1006-8.50	8.50 mm.	117	75	7900749
1006-9.00	9.00 mm.	125	81	5007826
1006-10.00	10.00 mm.	133	87	5007927
1006-11.00	11.00 mm.	142	94	7900850
1006-12.00	12.00 mm.	151	101	5008028

**ESTUCHE HSS CELESA**

Ref	Nº de brocas	Calidad	Contenido	Ref. Cofac
DE010/1-10	19	HSS	1-10mm. x 0.50	3645479

**BROCA PARA COLOCAR PICAPORTES HERCO**

Ref	ØCorte	L.C	L.T	Mango	Ref. Cofac
H49-24HS	24mm.	100	125	13	9606748

**BROCA CILINDRICA S/LARGA HSS 340N IZAR**

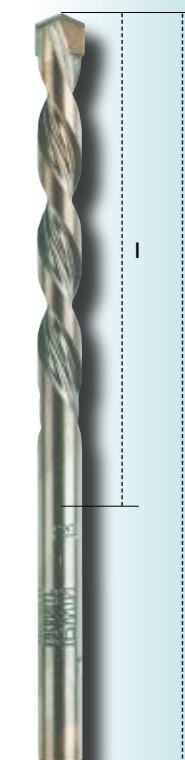
Ref	ØCorte	Total L mm	l mm	Ref. Cofac
1003-2.00	2.00 mm.	85	56	7901052
1003-2.50	2.50 mm.	95	62	7901153
1003-3.00	3.00 mm.	100	66	7901254
1003-3.25	3.25 mm.	106	69	7901355
1003-3.50	3.50 mm.	112	73	7901456
1003-4.00	4.00 mm.	119	78	7901557
1003-4.25	4.25 mm.	119	78	7901658
1003-4.50	4.50 mm.	126	82	7901759
1003-5.00	5.00 mm.	132	87	7901860
1003-5.50	5.50 mm.	139	91	7901961
1003-6.00	6.00 mm.	139	91	7902062
1003-6.50	6.50 mm.	148	97	7902163
1003-7.00	7.00 mm.	156	102	7902264
1003-7.50	7.50 mm.	156	102	7902365
1003-8.00	8.00 mm.	165	109	7902466
1003-8.50	8.50 mm.	165	109	7902567
1003-9.00	9.00 mm.	175	115	7902668
1003-10.00	10.00 mm.	184	121	7902769
1003-11.00	11.00 mm.	195	128	7902870
1003-12.00	12.00 mm.	205	134	7902971
1003-13.00	13.00 mm.	205	134	7903072

**BROCA CILINDRICA S/CORTA HSS 340N IZAR**

Ref	ØCorte	Total L mm	l mm	Ref. Cofac
340N-3	3.00 mm.	59	35	1892207
340N-4	4.50 mm.	74	41	1892308
340N-5	5.00 mm.	82	55	1892409
340N-6	6.00 mm.	88	58	1892510
340N-7	7.00 mm.	110	70	1892611
340N-8	8.00 mm.	110	70	1892712
340N-9	9.00 mm.	110	70	1892813
340N-10	10.00 mm.	115	75	1892914
340N-11	11.00 mm.	135	85	1893015
340N-12	12.00 mm.	135	85	1893116
340N-13	13.00 mm.	135	90	1893217
340N-14	14.00 mm.	145	95	1893318
340N-16	16.00 mm.	165	95	1893419

**BROCA CILINDRICA GRANITE IRWIN-JORAN**

Ref	ØCorte	L.I.	L.T.	Ref. Cofac
D.3x70	3.00 mm.	40	70	4759767
D.4x80	4.00 mm.	45	80	4759868
D.5x90	5.00 mm.	55	90	4759969
D.6x100	6.00 mm.	60	100	4760070
D.7x110	7.00 mm.	70	110	4760171
D.8x120	8.00 mm.	80	120	4760272
D.9x130	9.00 mm.	90	130	4760373
D.10x140	10.00 mm.	100	140	4760474
D.12x160	12.00 mm.	110	160	4760575
D.14x160	14.00 mm.	114	160	5951150
1006-13.00	13.00 mm.	151	101	7900951



**BROCA CILINDRICA MASONRY IRWIN-JORAN**

Ref	ØCorte	L mm	l mm	Ref. Cofac
D.3x70	3 mm.	70	40	4754717
D.4x80	4 mm.	80	45	4754818
D.5x90	5 mm.	90	55	4754919
D.5x160	5 mm.	160	110	4755020
D.6x100	6 mm.	100	60	4755121
D.6x160	6 mm.	160	110	4755222
D.7x110	7 mm.	110	70	4755424
D.8x120	8 mm.	120	80	4755525
D.8x200	8 mm.	200	150	4755626
D.8x400	8 mm.	400	350	4755727
D.9x130	9 mm.	130	90	4755828
D.10x140	10 mm.	140	100	4755929
D.10x200	10 mm.	200	150	4756030
D.10x400	10 mm.	400	350	4756131
D.11x160	11 mm.	160	110	4756232
D.12x160	12 mm.	160	110	4756333
D.12x400	12 mm.	400	350	4756434
D.13x160	13 mm.	160	110	4756535
D.14x160	14 mm.	160	110	4756737
D.14x400	14 mm.	400	350	4756838
D.16x160	16 mm.	160	110	4757141
D.16x400	16 mm.	400	350	4757242
D.18x160	18 mm.	160	110	4757545
D.18x400	18 mm.	400	350	4757646
D.20x160	20 mm.	160	110	4757749
D.20x400	20 mm.	400	350	4758050
D.22x400	22 mm.	400	350	4758252

**BROCA CILINDRICA PROFESIONAL J.POINT**

Ref	ØCorte	L mm	l mm	Ref. Cofac
1886-3x60	3 mm.	60	35	7907419
1886-4x75	4 mm.	75	40	5009139
1886-5x85	5 mm.	85	40	5009240
1886-5x150	5 mm.	150	90	7907520
1886-6x100	6 mm.	100	55	5009341
1886-6x150	6 mm.	150	90	7907621
1886-7x100	7 mm.	100	55	5009442
1886-8x120	8 mm.	120	70	5009543
1886-8x200	8 mm.	200	150	7907722
1886-9x120	9 mm.	120	70	5009644
1886-10x120	10 mm.	120	70	5009745
1886-10x200	10 mm.	200	150	7907823
1886-12x150	12 mm.	150	90	5009846
1886-12x200	12 mm.	200	150	7907924
1886-14x150	14 mm.	150	90	5009947
1886-16x150	16 mm.	150	90	7908126

**BROCA CILINDRICA S/LARGA PARED PROFESIONAL J.POINT**

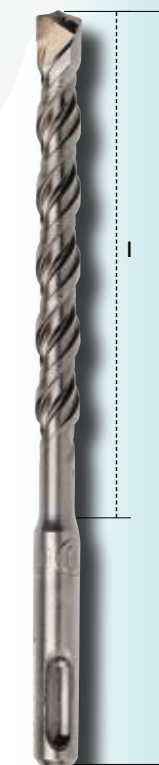
Ref	ØCorte	L mm	l mm	Ref. Cofac
1846-6x400	6 mm.	400	300	7904890
1846-8x400	8 mm.	400	300	7904991
1846-10x400	10 mm.	400	300	7905092
1846-12x400	12 mm.	400	300	7905294
1846-14x400	14 mm.	400	300	7905496
1846-16x400	16 mm.	400	300	7905601
1846-18x400	18 mm.	400	300	7905803
1846-20x400	20 mm.	400	300	7905904

**BROCA SDS PLUS SPEEDHAMMER IRWIN-JORAN**

Ref	ØCorte	L mm	l mm	Ref. Cofac
D.4x110	4 mm.	110	50	4760676
D.5x110	5 mm.	110	50	4760777
D.6x110	6 mm.	110	50	4760979
D.6x160	6 mm.	160	100	4761080
D.8x110	8 mm.	110	50	4761383
D.8x160	8 mm.	160	100	4761484
D.8x210	8 mm.	210	150	4761585
D.10x110	10 mm.	110	50	4762090
D.10x160	10 mm.	160	100	4762191
D.10x210	10 mm.	210	150	4762292
D.11x160	11 mm.	160	100	4762696
D.12x160	12 mm.	160	100	4762801

**BROCA CELESA SDS-PLUS**

Ref	ØCorte	Total L mm.	Ref. Cofac
5x110	5 mm.	110	1845323
6x110	6 mm.	110	1845424
6x160	6 mm.	160	1845525
8x110	8 mm.	110	1845626
8x160	8 mm.	160	1845727
8x200	8 mm.	200	1845828
10x160	10 mm.	160	1845929
10x200	10 mm.	200	1846030
12x160	12 mm.	160	1846131
12x200	12 mm.	200	1846232
14x160	14 mm.	160	1846333
14x200	14 mm.	200	1846434
16x160	16 mm.	160	1846535
16x200	16 mm.	200	1846636
16x450	16 mm.	450	1846737
18x200	18 mm.	200	1846838
18x450	18 mm.	450	2433282

**HUSILLO PARA CORONA STARRETT**

Ref	Diámetro	Espiga	Ref. Cofac
A-1	14...30mm.	9,5	1790557
A-2	32...210mm.	13	1790658
A-4	14...30mm.	6,5	1790759
A-10	32...210mm.	9,5	2336484
KA4M	14...30mm.	6,5	5257804
KA10M	32...210mm.	9,5	5257703

**HUSILLO PARA CORONA BIMETAL BLUMOL**

Ref	Diámetro	Espiga	Ref. Cofac
5518	14...30mm.	11	3212215
5546	32...152mm.	9,5	3212316



**CORONA BIMETALICAS STARRETT**

Ref	Diámetro	Ref. Cofac
14-HO14	14	2334060
16-HO16	16	1675975
17-HO17	17	1676076
19-HO19	19	1676177
20-HO20	20	9089607
21-HO21	21	1676278
22-HO22	22	1676379
24-HO24	24	1676480
25-HO25	25	1676581
27-HO27	27	1676682
29-HO29	29	1676783
30-HO30	30	1676884
32-HO32	32	1676985
33-HO33	33	2334161
35-HO35	35	1677086
37-HO37	37	2334262
38-HO38	38	1677187
40-HO40	40	1677288
41-HO41	41	2334363
43-HO43	43	2334464
44-HO44	44	2334565
46-HO46	46	1677389
48-HO48	48	1677490
51-HO51	51	1677591
52-HO52	52	2334666
54-HO54	54	1734175
57-HO57	57	2334767
59-HO59	59	2334868
60-HO60	60	2334969
64-HO64	64	2335070
65-HO65	65	2335171
67-HO67	67	2335272
70-HO70	70	2335373
73-HO73	73	2335474
76-HO76	76	2335575
79-HO79	79	2335676
83-HO83	83	2335777
86-HO86	86	2335878
89-HO89	89	2335979
92-HO92	92	2336080
95-HO95	95	2336181
98-HO98	98	2336282
102-H102	102	2336383
105-H105	105	2389533
108-H108	108	2389634
111-H111	111	2389735
114-H114	114	2389836
121-H121	121	3289937
127-H127	127	2390038
140-H140	140	2390139
152-H152	152	2390240

**CORONA BIMETALICA BLUMOL CELESA**

Ref	Diámetro	Ref. Cofac
14 mm	14	3209989
17 mm	17	3210191
19 mm	19	3210292
20 mm	20	8043219
22 mm	22	3210494
25 mm	25	3210696
27 mm	27	3210700
29 mm	29	3210801
30 mm	30	3210902
33 mm	33	3211104
35 mm	35	3211205
37 mm	37	3211306
43 mm	43	3211710
44 mm	44	3211811
45 mm	45	8042310
46 mm	46	3211912
50 mm	50	8042411
51 mm	51	3212114
54 mm	54	8042613
55 mm	55	8042714
57 mm	57	8042815
59 mm	59	8042916
60 mm	60	8043017
64 mm	64	8043118
65 mm	65	8043320
70 mm	70	8043623
75 mm	75	8043825
79 mm	79	8044027

**SIERRA DE CALAR ULTRA**

Ref	Diámetro	Compatible	Ref. Cofac
8001			4113608
8002			4113709
8003			4113810
8004		AEG	4113911
8005		BOSCH	4114012
8006		HITACHI	4114113
8007		MAKITA	4114214
8009		METABO	4114315
8010		DEWALT	4114416
8011			4114517
8012			4114618
8016			4114719
8024			4114820
8601			4114921
8603		B&D	4115022
8604		HITACHI	4115123
8605		RIOBI	4115224
8606		SKIL	4115325

2

## Utiles de corte y abrasivos

2.3

## Sierras

## HOJA DE SIERRA 3906 SANDFLEX

Ref	Dientes	Ref. Cofac
300-18-100	18	7843256
300-24-100	24	7843357
300-32-100	32	7843458
300-24-2p	24	9209138

## BIMETALICA STARRETT

Ref	Dientes	Ref. Cofac
BGT1218	18	6293882
BGT1224	24	5934275
BGT1232	32	6293983

## HSS STARRETT

Ref	Dientes	Ref. Cofac
RS1218	18	456910
RS1224	24	457011
RS1232	32	457112



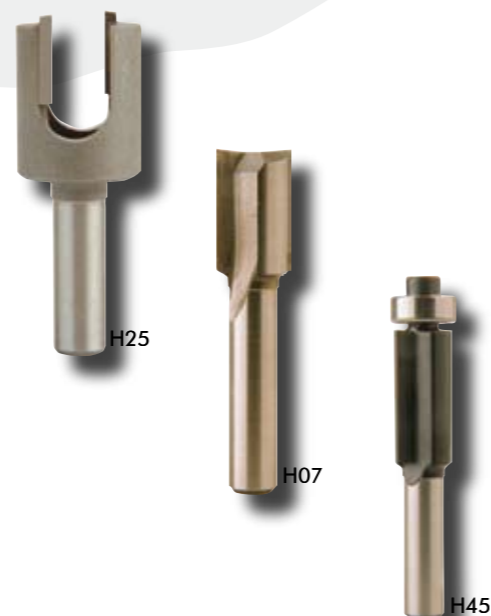
2

2.4

## Fresas

## FRESAS HERCO

Ref.	Ømm.	Mango	Widia	Ref. Cofac
H25	8	6	2	9606716
H25	10	6	2	9606717
H25	12	6	2	9606718
H25	13	6	2	9606719
H25	14	6	2	9606720
H25	15	6	2	9606721
H25	16	6	2	9606722
H25	17	6	2	9606723
H25	18	6	2	9606724
H25	20	6	2	9606725
H25	22	6	2	9606726
H25	23	6	2	9606727
H25	24	6	2	9606728
H25	25	6	2	9606729
H07	6	8	2	9606730
H07	7,6	8	2	9606731
H07	8	8	2	9606732
H45	13	8	2	9606747



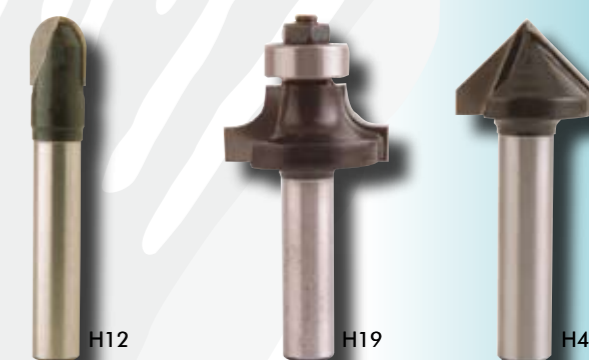
## Carpintería

2

2.4

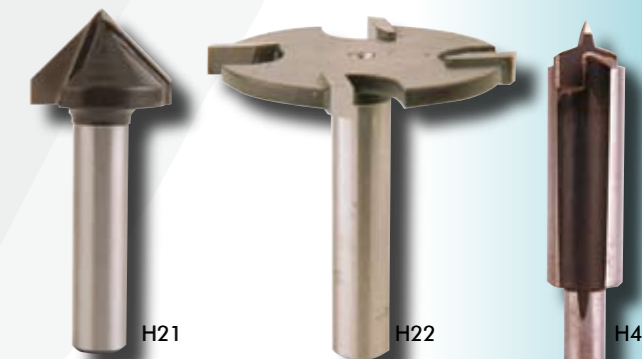
## FRESAS HERCO

Ref.	Ømm.	Radio	Widia	Mango	Ref. Cofac
H12	8	4	2	8	9606733
H12	10	5	2	8	9606734
H19	20	4	2	8	9606735
H42	29	5	2	8	9606746



## FRESAS HERCO

Ref.	Ømm.	Mango	Ref. Cofac
H21	13	6	9606742
H22	41	8	9606743
H22	41	8	9606745
H22	41	8	9606744
H49	24	13	9606748



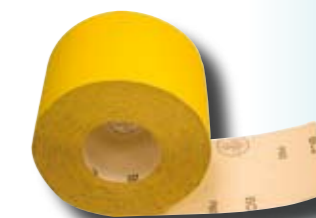
## Abrasivos

2

2.5

## PAPEL VIBRATOR

Ref	Medidas	Grano	Ref. Cofac
BC2120-60	120x25000	60	5133219
BC2120-80	120x25000	80	5133320
BC2120-120	120x25000	120	5133421
BC2120-150	120x25000	150	9607208



## PAPEL MEDALLA

Ref	Medidas	Grano	Ref. Cofac
N.0	230x280	0	971818
N.00	230x280	00	972525
N.2	230x280	2	972020
N.3	230x280	3	972121
N.4	230x280	4	972222
N.5	230x280	5	972323
N.6	230x280	6	972424



**2**

## Utiles de corte y abrasivos

**2.5**

### Abrasivos

#### PAPEL 3 CORONAS CC2

Ref	Medidas	Grano	Ref. Cofac
120x50000-180	120x25000	180	9607194
120x50000-220	120x25000	220	9607196
120x50000-280	120x25000	280	9607199
120x50000-320	120x25000	320	9607201



#### BANDA TELA RESINFLEX SFE

Ref	Medidas	Grano	Ref. Cofac
100x690-40	100x690	40	975959
100x690-50	100x690	50	976060
100x690-60	100x690	60	976161
100x690-80	100x690	80	976262
100x690-120	100x690	120	9607203



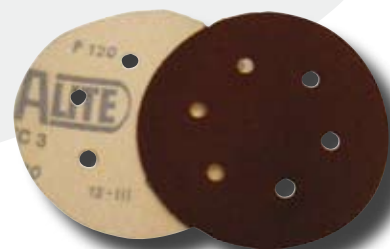
#### PAPEL ABRALITA VELCRO (TRIANGULO)

Ref	Medidas	Grano	Ref. Cofac
94-40	94-6 aguj.	40	5133522
94-60	94-6 aguj.	60	5133623
94-80	94-6 aguj.	80	5133724
94-100	94-6 aguj.	100	5133825
94-120	94-6 aguj.	120	5133926



#### DISCO VELCRO ABRALITE FC3 6 AGUJEROS

Ref	Medidas	Grano	Ref. Cofac
150x80x80	150x80	80	9607204
150x80x120	150x80	120	9607205
150x80x150	150x80	150	9607206



#### TACO ABRASIVO

Ref	Medidas	Grano	Ref. Cofac
G. Fino	100x70x27	fino	6338039
G. Medio	100x70x27	medio	6337938
G. Grueso	100x70x27	grueso	6337837



BANDAS DE TELA

PAPEL ABRALITE

TACOS